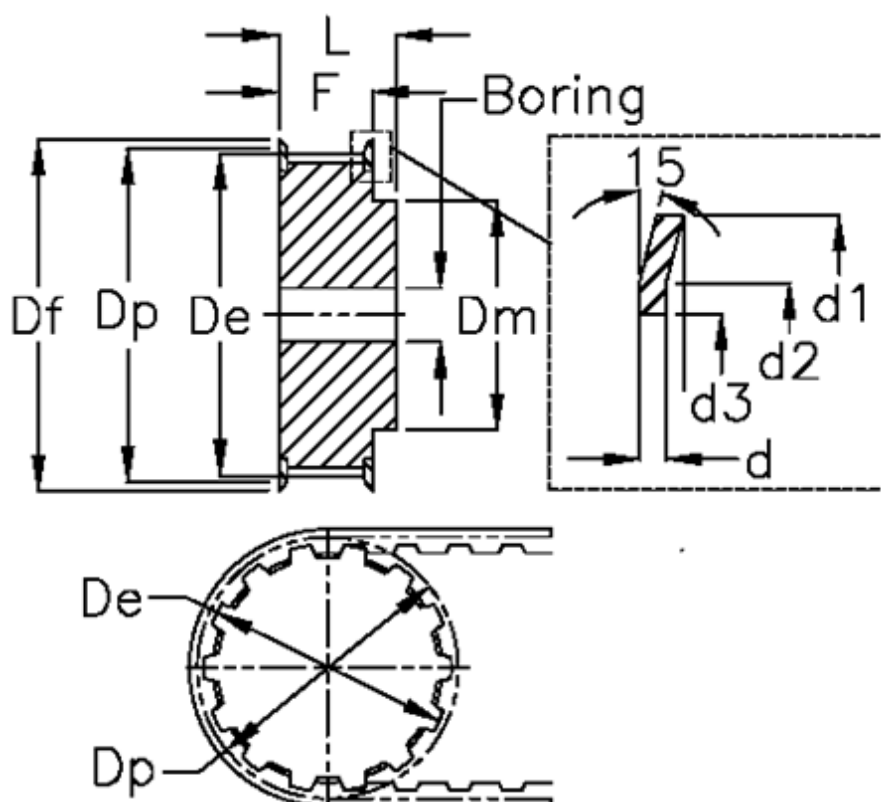


Article number: 604140036015

Description: Timing belt pulley with hub
HTD 36 3M 15

Measures



Bore = 6	Dp = 34.38
d = 0.5	F = 20
d1 = 38	Flange type = F14
d2 = 34	L = 30
d3 = 26.5	Tooth number = 36
De = 33.62	Type = 3M
Df = 38	Weight = 0.06
Dm = 26	Width = 15